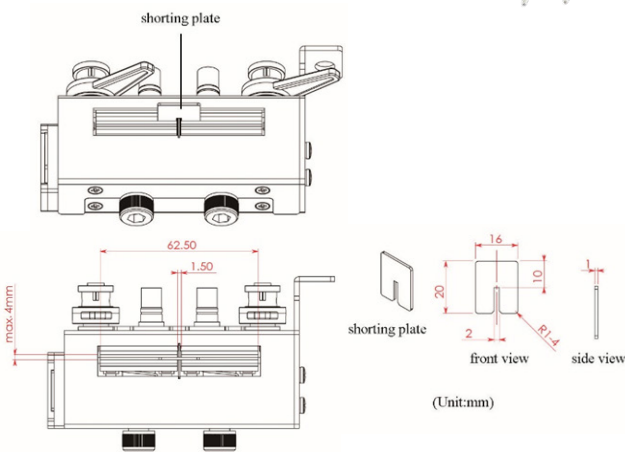


# FX-000C19



DIP



Test Fixture	
Frequency	DC to 50MHz
Max. Voltage	±42Vpeak max.(AC+DC)
Terminal Connector	4-Terminal Pair, BNC
DUT Connection	4-Terminal
DUT Size	Max.4mm
Dimensions (approx.)	96x34x49mm (W/H/D)
Weight (approx.)	170g
Operating Temperature	0° C to 55° C
Applicable Models	6363~6367 · 6632 · 6630

Freq.	1MHz	5MHz	10MHz	20MHz	30MHz	50MHz
-------	------	------	-------	-------	-------	-------

## Applicable Models



6363 / 6364 / 6365 / 6366 /  
6367 / 6365A / 6365B



6630



6632