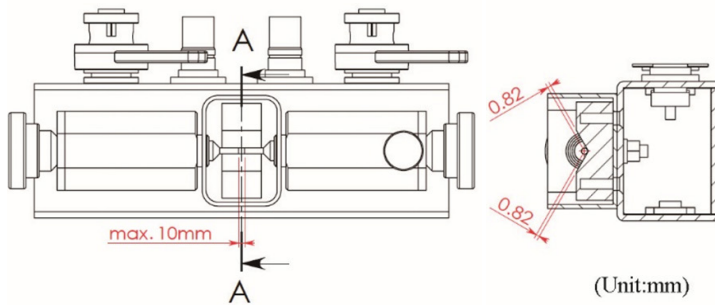
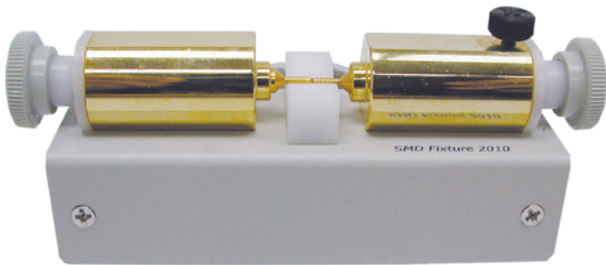


# F423905



SMD Test Fixture	
Frequency	DC to 10MHz
Max. Voltage	±42Vpeak max.(AC+DC)
Terminal Connector	4-Terminal Pair, BNC
DUT Connection	2-Terminal
DUT Size	Max.10mm
Dimensions (approx.)	118x48x52mm (W/H/D)
Weight (approx.)	235g
Operating Temperature	0° C to 55° C
Applicable Models	6363~6367 · 6632 · 6630

Freq.	1MHz	5MHz	10MHz	20MHz	30MHz	50MHz
-------	------	------	-------	-------	-------	-------

## Applicable Models



6363 / 6364 / 6365 / 6366 / 6367 / 6365A / 6365B



6630



6632