

4-Wire Cable Tester

8761N/8761NA/8761FA

Features

- 4-wire measurement conductance 1mΩ-52Ω
- Test pin 64/128/256
- Number of test file up to 500 sets
- The measurement items: Open/Short, Conductance, Components, AC Hipot, DC insulation/Hipot, Quick conductance, Intermittence O/S, and Quick Intermittence open circuit.
- Multiple DUT test-4 (standard)/ expand 14 (option)
- USB Host storages setting files and can update firmware
- Support bar code scan and print function
- External current expand box for wire buck measurement

Application

All kinds of wires, connectors and combined products of connectors and wires



CE RS-232 Remote USB Host Print

Accessories / Fixtures

Standard

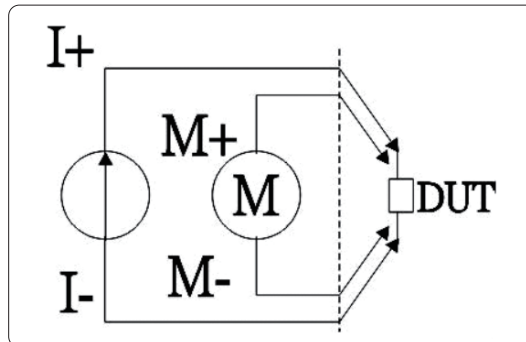
- Power Cord
- AK-8600F2
- Probe
- FX-000C16

Optional

- PC link software
- Remote control cable
- KB-8750K1
- F874003
- F874001
- FX-000C15
- FX-000C17
- FX-000C18
- FX-000C21
- FX-000C22
- Network Fixture
- D-Sub foot switch (F760001)
- Printer

Key Features

A 4-Wire Measurement



4-wire measurement, avoiding the resistance issues caused from adapting the fixture wires, low resistance of 1mΩ.

B Multiple DUT Testing Expand Box (F871001)

TEST MODE File:TEMP			PROG
Item	EN./ST.	NUM/END	
[1] TEST M.DUT	NO	1	
[2] DUT1	A01	A01	
[3] DUT2	A01	A01	
[4] DUT3	A01	A01	
[5] DUT4	A01	A01	

Multiple standard DUT test-4 sets, expand up to 14 DUTs

C Conductance

TEST			TestTime: 0.01Sec	1. OK
TEST:1	PASS:1	FAIL:0		2. OK
O/S TEST			PASS	3. OK
Extract the Cable				4. OK

4-wire measurement, the conduction resistance value is more accurate, the value is displayed to the third decimal place.

Specification

Model Name	8761N	8761NA	8761FA
Measuring Mode	4-wire		
Test Pin	64/128/256	64/128/256	64/128/256
AC Output Voltage	-	100-700V	100-1000V
DC Output Voltage	50-1000V	50-1000V	50-1500V
Hipot Output Accuracy	±5%		
Hipot Measurement Accuracy	±5%		
Rated Output	5Vdc		
Hipot Measurement Time	0.01 sec-60 sec		
Wire Specifications	Maximum allowable capacitance 5μF		
Measurement Items and Measurement Range	Conductance		1mΩ-52Ω
	Intermittence Conductance		1mΩ-52Ω
	AC Hipot Leakage Current		0.01mA-5mA
	DC Hipot Leakage Current		0.1μA-1000μA
	DC Hipot Insulation Resistance		1MΩ-1.2GΩ
	O/S, Intermittence O/S, Quick Intermittence open circuit		1kΩ-100kΩ
	Resistance	Measurement Range	50mΩ-20MΩ
		Level signal	0.5-3V
	Conductance	Current signal	10mA
	Capacitance	Measurement Range	10pF-12μF
		Frequency signal	AUTO Gear (Optional) 48Hz/480Hz/4.8kHz/48kHz
		Level signal	0.3V-1.2V
	Diode		0-6.8V
	Single-Side Test		Able to do the Single-Side Test
O/S Terminal Judge		With this feature	
Advanced Functions	Programmable continuous test/Pin search/Auto-diagnosis		
Test Scan Mode	Auto, Manual, External Trigger		
Measurement Signal	Low Voltage Measurement Signal		
Built-in Storage	Number of test file up to 500 sets		
Indicator	Pass/Fail HV LED red-green indicator lights/Screen Display/Sound		

General

Power Supply	Fixed Voltage 115/230 Vac ±10%
	Frequency 60/50Hz
Power Consumption	8761 (64)-70VA, 8761 (128)-70VA, 8761 (256)-100VA
Interface	RS-232, USB Host, Print, Remote
Operation	Manual, Auto, Remote Control
Display	320*240 dot-matrix
Environment	Temperature: 15°C-35°C, Humidity: RH≤70%
Dimension (W*H*D)	8761 (64): 435×145×406mm 8761 (128): 435×145×406mm 8761 (256): 435×190×406mm
Weight	8761 (64): 8.44kg 8761 (128): 9.3kg 8761 (256): 14kg